

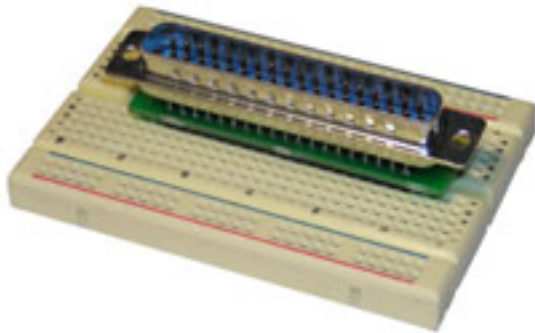


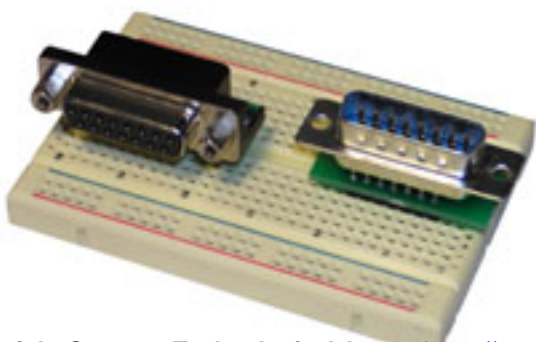
Technological Arts Inc.

Technological Arts

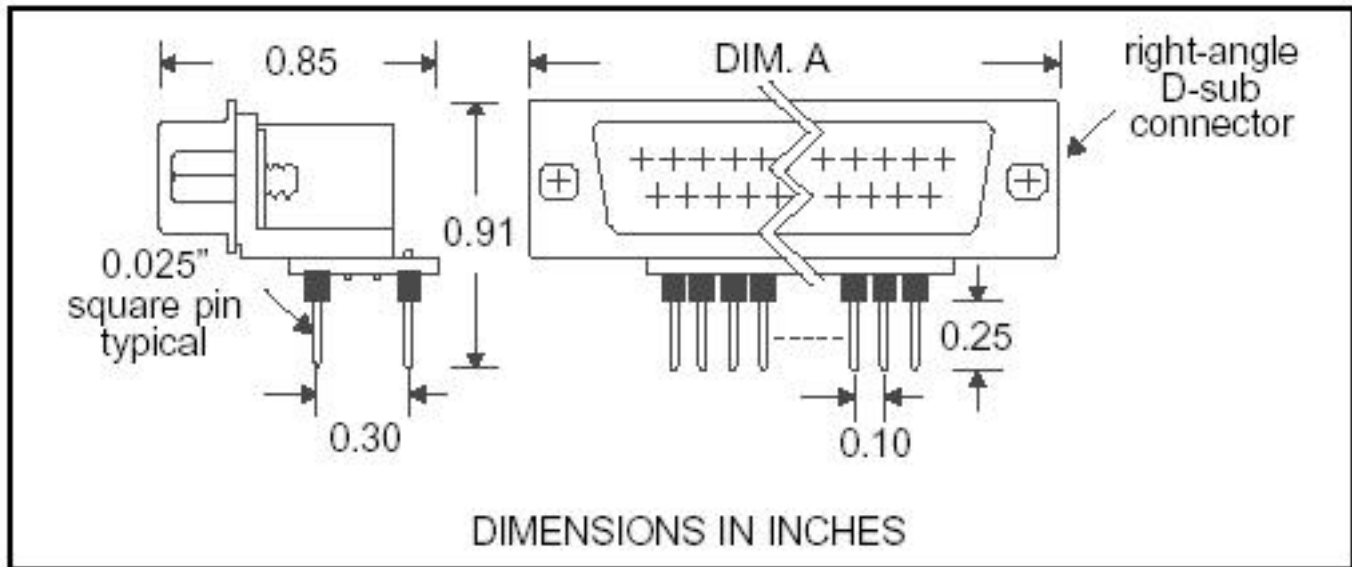
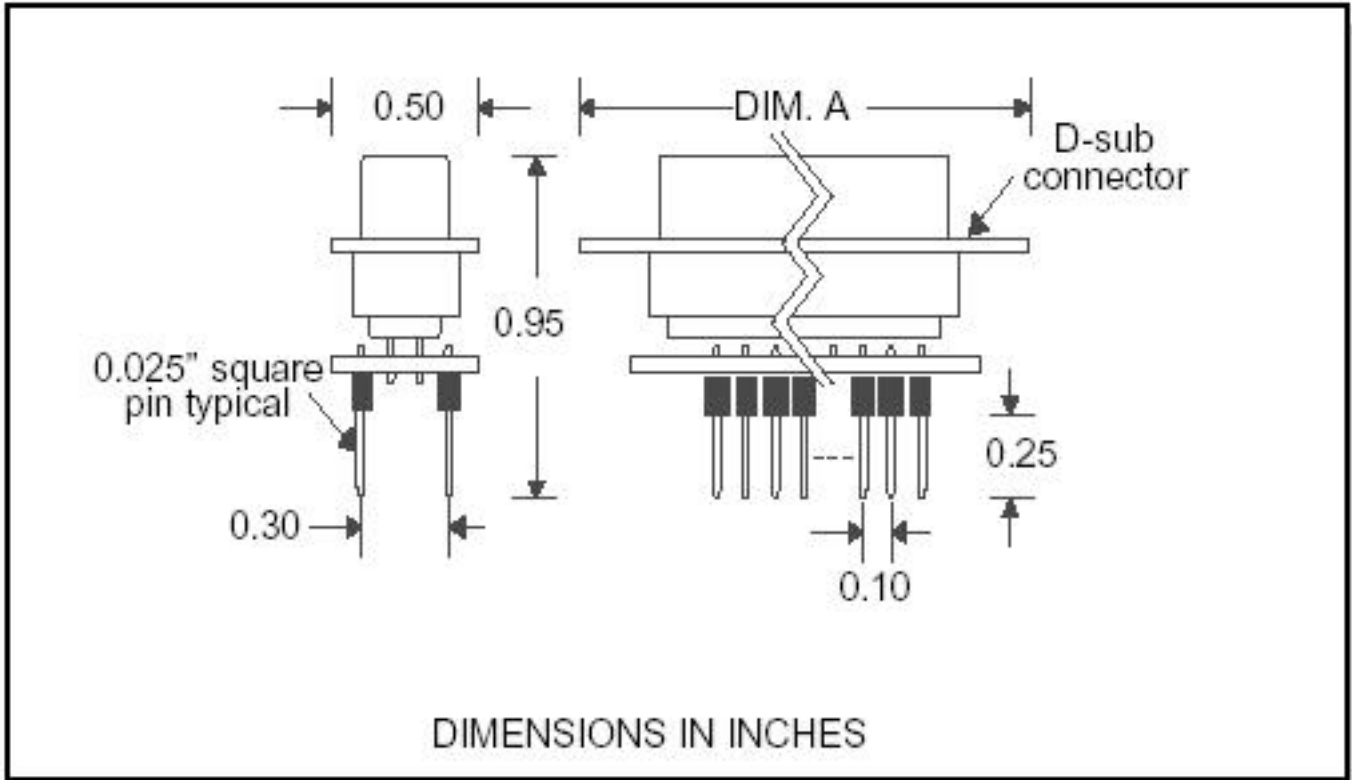
D-Sub

Â





Â



Â

Â

- use D-sub connectors in your breadboard as easily as DIPs!
- test or develop interfaces to serial and parallel port devices in your solderless breadboard
- perfect for students, technicians, engineers, and hobbyists!

Features:

Â

- compact design
- gold-plated 0.025" square-pin terminations
- rows spaced 0.3" apart to plug into standard solderless breadboard
- takes minimum real estate on breadboard
- gives maximum access to tie-points
- available in both socket and plug versions
- available in both top-entry and side-entry versions
- quality 2-layer FR-4 board
- preserves connector pin-numbering scheme
- available in 9-, 15-, 25-, and 37-pin sizes

[Data sheet for D-Sub adapters is available here](#)



D-Sub Adapters, 15-pin plug
USD \$3.50

[\[Product Details...\]](#)



D-Sub Adapters, 15-pin plug, right-angle
USD \$4.00

[\[Product Details...\]](#)



D-Sub Adapters, 15-pin socket
USD \$3.50

[\[Product Details...\]](#)



D-Sub Adapters, 15-pin socket, right-angle
USD \$4.00

[\[Product Details...\]](#)



D-Sub Adapters, 25-pin plug
USD \$5.00

[\[Product Details...\]](#)



D-Sub Adapters, 25-pin plug, right-angle
USD \$6.00

[\[Product Details...\]](#)



D-Sub Adapters, 25-pin socket
USD \$5.00

[\[Product Details...\]](#)



D-Sub Adapters, 25-pin socket, right-angle
USD \$6.00

[\[Product Details...\]](#)



D-Sub Adapters, 37-pin plug
USD \$7.50

[\[Product Details...\]](#)



D-Sub Adapters, 37-pin socket
USD \$7.50

[\[Product Details...\]](#)



D-Sub Adapters, 9-pin plug
USD \$3.00

[\[Product Details...\]](#)



D-Sub Adapters, 9-pin plug, right-angle
USD \$3.50

[\[Product Details...\]](#)



D-Sub Adapters, 9-pin socket
USD \$3.00

[\[Product Details...\]](#)



D-Sub Adapters, 9-pin socket, right-angle
USD \$3.50

[\[Product Details...\]](#)



D-Sub Adapters, high-density 15-pin plug (VGA, SVGA)
USD \$4.50

[\[Product Details...\]](#)



D-Sub Adapters, high-density 15-pin socket (VGA, SVGA)
USD \$4.50

[\[Product Details...\]](#)

-
-
-
-
-

« « Start
« Prev
1
Next »
End » »

Results 1 - 16 of 16