

support@technologicalarts.com sales@technologicalarts.com
 www.technologicalarts.com

TECHNOLOGICAL ARTS, INC.

Adapt11 Modular EVB

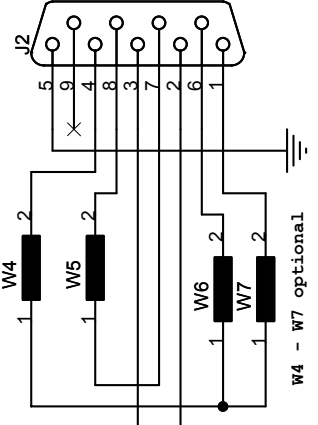
Document Number
 FILE: AD11EVBU5.DSN

Title

Size
 B

Rev
 5

RS232 Serial Port



W4 - W7 optional

JB1 Settings:
 HI (1&2)=JMP EE
 LO (2&3)=BUFFALO

CAUTION!
 Do not use
 W10 if U2
 is absent!

Use Rv with U2,
 or R2 without U2

Use JB2 to activate
 TRACE feature in BUFFALO

Use JB2 to activate
 TRACE feature in BUFFALO

Use Rv with U2,
 or R2 without U2

Use Rv with U2,
 or R2 without U2

Use Rv with U2,
 or R2 without U2

Use Rv with U2,
 or R2 without U2

Use Rv with U2,
 or R2 without U2