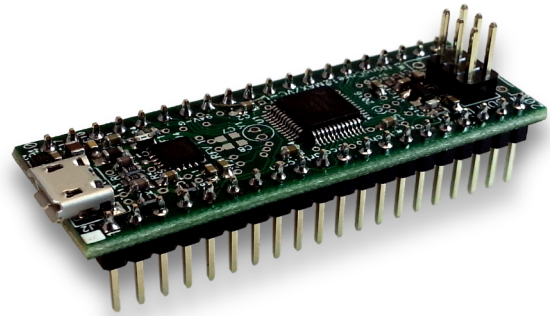


NanoCore12MAXZVC MagniV® DIP Microcontroller Module With USB Interface

Description

Designed primarily for automotive, robotics, mechatronics, and industrial applications, this module implements a fully-functional 16-bit microcontroller circuit in a convenient easy-to-use DIP format. Based on the advanced 16-bit Freescale/NXP 9S12ZVCA192 microcontroller, it offers unprecedented power and flexibility for a variety of applications, at a very attractive price. Suitable for educational and OEM applications.

The S12ZVC microcontroller integrates a sophisticated S12Z core together with a 12 V to 5 V voltage regulator and a CAN physical layer for automotive and industrial applications such as sensors, actuators, switch panels or other user interfaces.



NanoCore12MAXZVCU

Module Features

- high-reliability S12ZVCA192 microcontroller
- 5-Volt operation
- compatible with automotive power bus
- optional crystal
- standard 6-pin BDM connector
- compatible with USBDMILT low-cost BDM pod
- supported by CodeWarrior MCU v10.6 and higher
- integrated high speed CAN transceiver
- FT230 USB interface chip on SCI1
- 40-pin standard NanoCore12MAX wide DIP format
- standard 0.025" (0.65mm) square pins
- quality 4-layer board
- RoHS-compliant
- industrial temperature range (-40C to +85C)
- OEM pricing available for 25+ units

S12ZVCA192 MCU Features

- powerful S12Z core with linear addressing
- 192K ECC Flash memory
- 2K ECC EEPROM
- 12K ECC RAM
- high-speed CAN physical layer
- 2 high-voltage inputs
- 4-channel open-drain GPIO
- SCI, SPI, IIC
- 4 + 4 16-bit timers (20ns resolution)
- 4 + 3 16-bit PWM channels (20 ns resolution)
- 10 12-bit ADC channels
- 8-bit DAC
- 2 Analog Compare (ACMP) with rail-to-rail inputs
- internal 1 MHz oscillator
- up to 32MHz bus speed via PLL

Order Codes

Modules:

NanoCore12MAXZVC with USB Interface on SCI1, pre-soldered header pins

NC12MAXZVCU

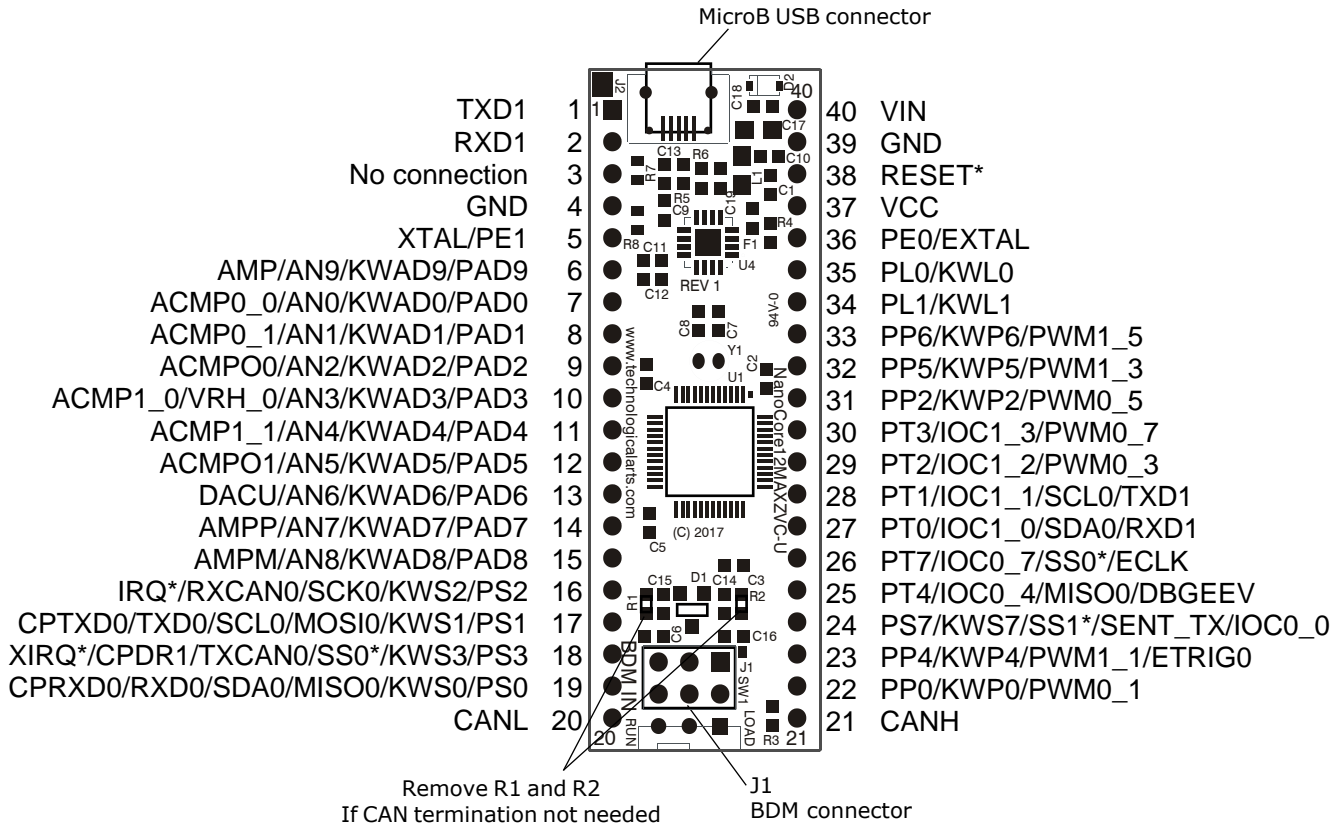
NanoCore12MAXZVC with USB Interface on SCI1, no header pins

NC12MAXZVCU-NP



www.TechnologicalArts.com

NC12MAXZVCU Pinout



Note: PIN1 of all through-hole components is indicated by square pad on circuit board.

